

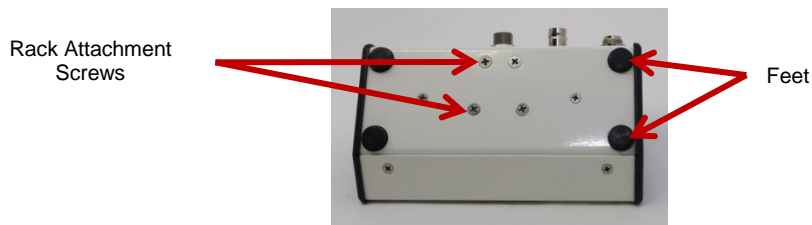
## LDC-RACK-2U Rack Mount Kit Assembly Instructions

A User's Manual for the LDC-1C may be found at <https://oceanoptics.com/support/technical-documents>.

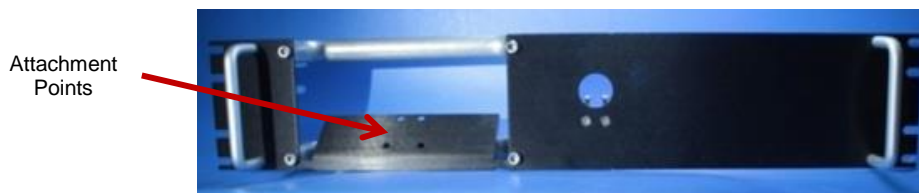
### Tools required:

Phillips screwdriver

1. Unpack your LDC-RACK-2U rack mount kit and verify that there is no damage.
2. Remove the 4 feet on the bottom of the LDC-1C.
3. Remove the 4 rack attachment screws on the bottom plate of the LDC-1C.



4. Insert the LDC-1C through the front opening in the face plate.



5. Utilizing the screws that you just removed, attach the LDC-1C to the base plate of the rack. Hand tighten the screws to a maximum of 9.6 Inch-LBS.
6. Remove the 2 screws on the LSM attachment plate.



7. Place the LSM on the attachment plate such that the SMA connector is accessible from the front side of the rack. Fasten the LSM to the LSM attachment plate using the 2 screws you just removed. Hand tighten the screws to a maximum of 9.6 Inch-LBS.
8. Completed installation is shown below.

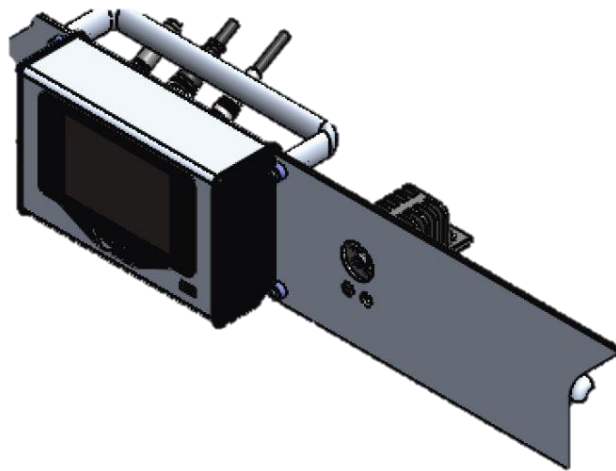
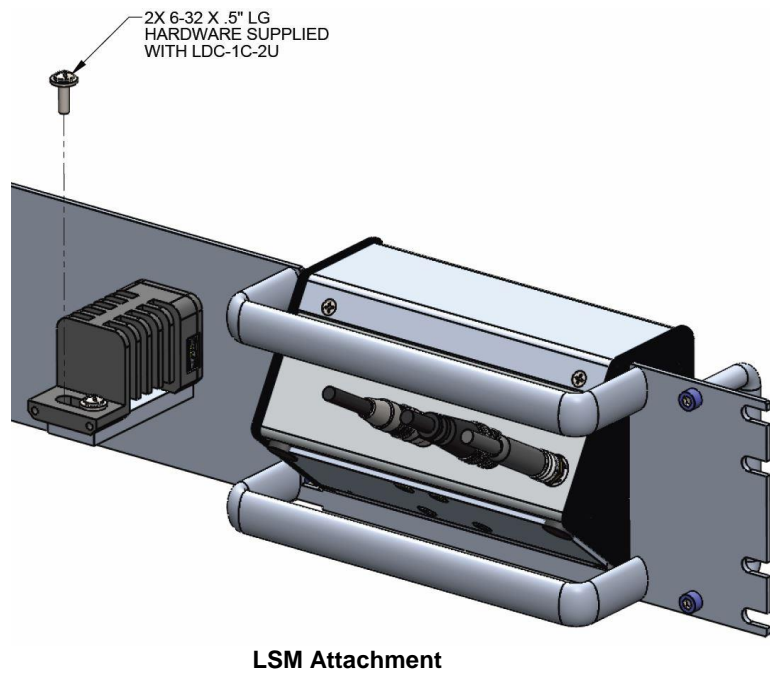
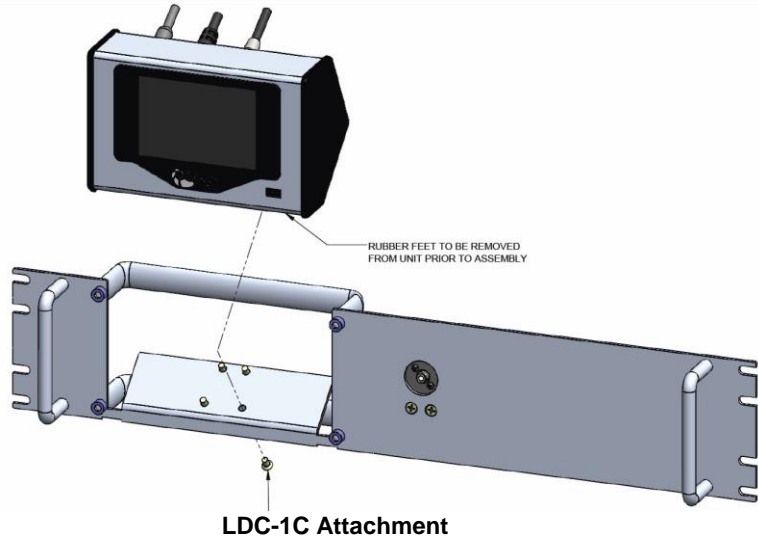


Front View



Rear View

# LDC-RACK-2U Drawings



Completed Installation